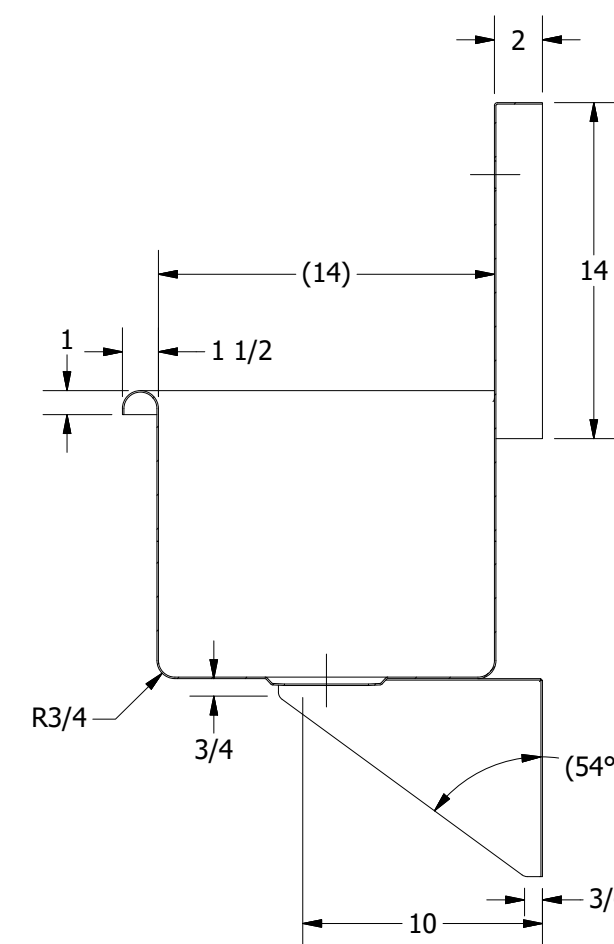
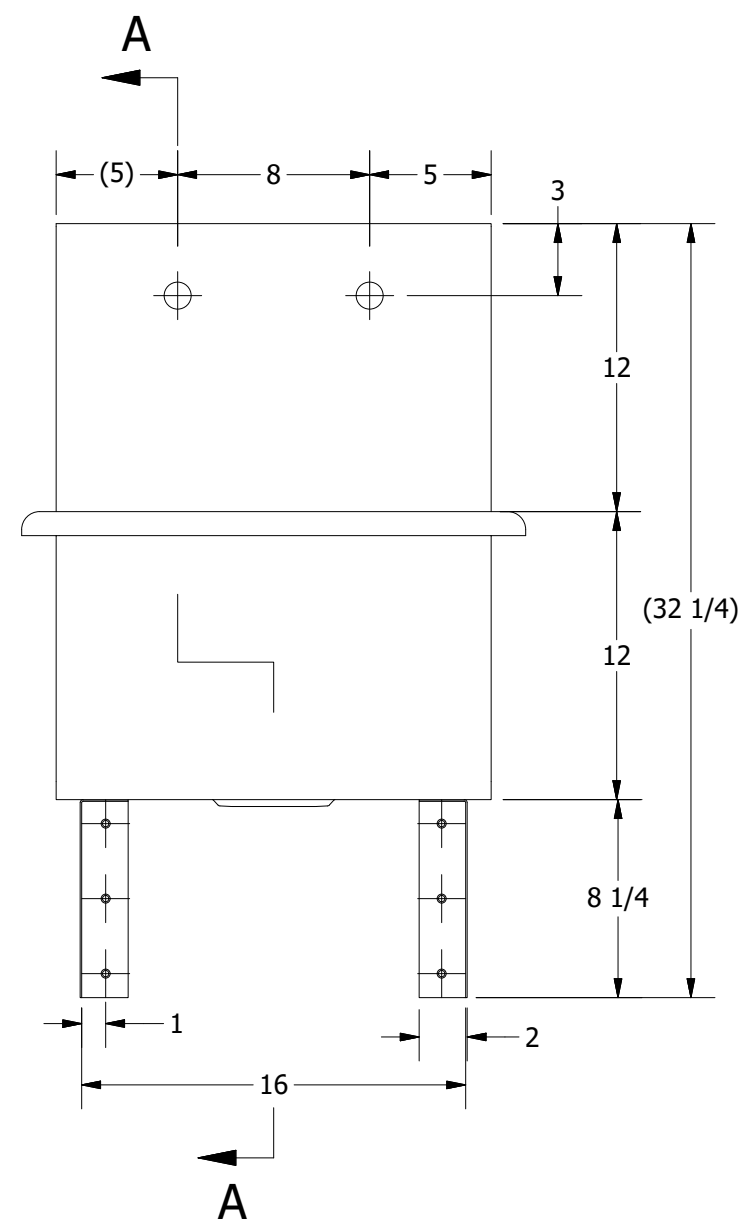


3D
SCALE 1 / 8



SECTION A-A
SCALE 1/8

REV	DESCRIPTION	DATE	APPROVED
REVISION HISTORY			



PART NUMBER SS.184.A		TITLE MEDINA SERIES SERVICE SINK	
PRODUCT CATEGORY SERVICE SINK		DESCRIPTION 1 STATION, WITH WALL FAUCET SERVICE SINK	
MATERIAL 16GA (0.06 in) 304 STAINLESS STEEL		ALL DIMENSIONS ARE IN X INCHES	
DRW. BY / DATE DNZ 09/17/18	APPROVED BY / DATE	REV. SCALE 1/8	SIZE SHEET C 1 / 1